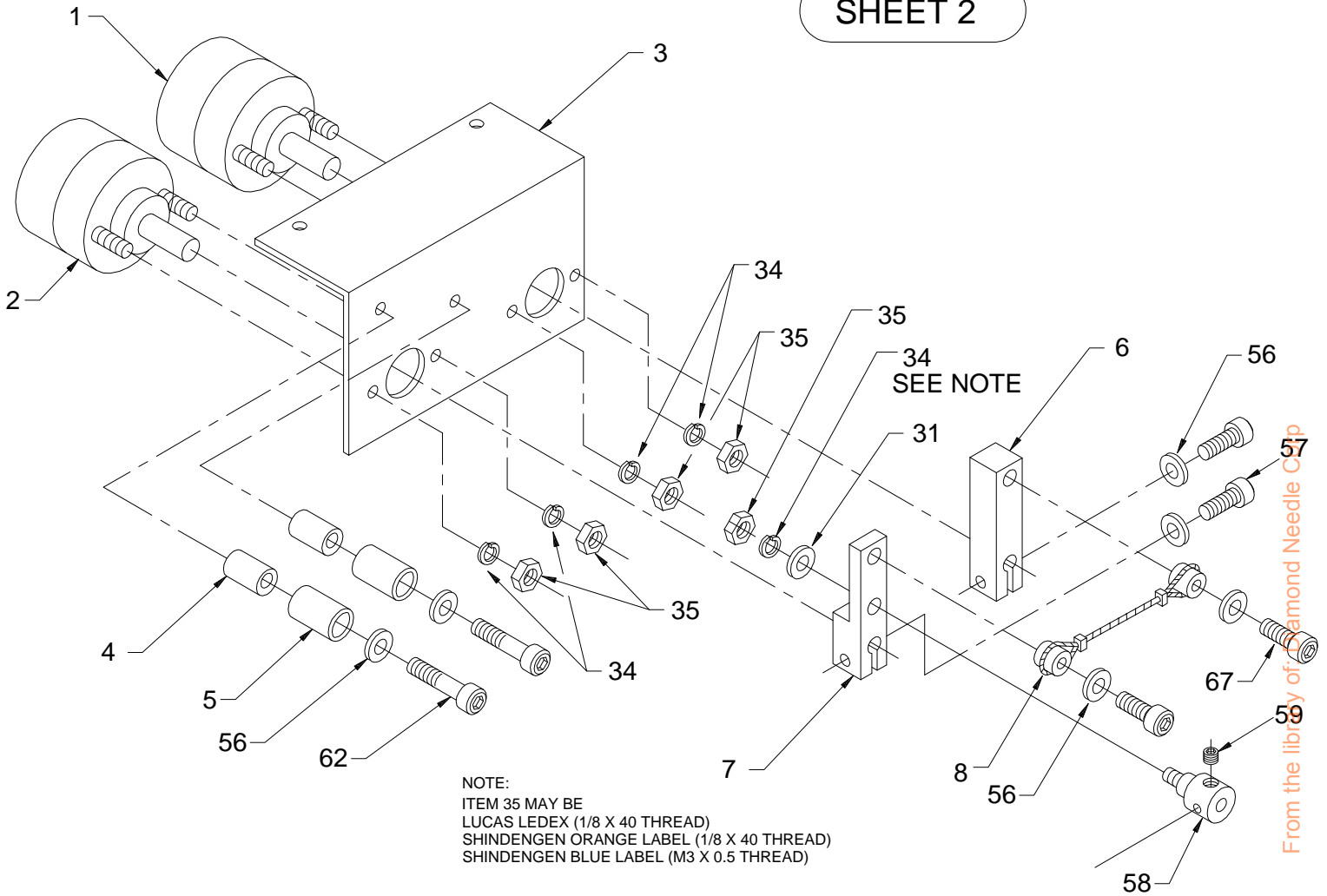


From the library of: Diamond Needle Corp

ITEM	PART NO.	DESCRIPTION	QTY
57	P840003	M4x10 HEX SOCKET CAP SCREW, BLACK	6
68	P661081	#6120 11/64-40x9 SLOT OVAL FH 800/900XLC	2
109	P840119	#8-32x1 3/4 HEX SOCKET FLAT HEAD	2
111	P840445	#10-32x5/8 HEX SOC BUTTON HD SCREW	2
118	P840523	#8 SPLIT LOCK WASHER	3
119	P840530	#10 FLAT WASHER PLATED	2
120	P840572	#10 LOCK WASHER, SPLIT	2

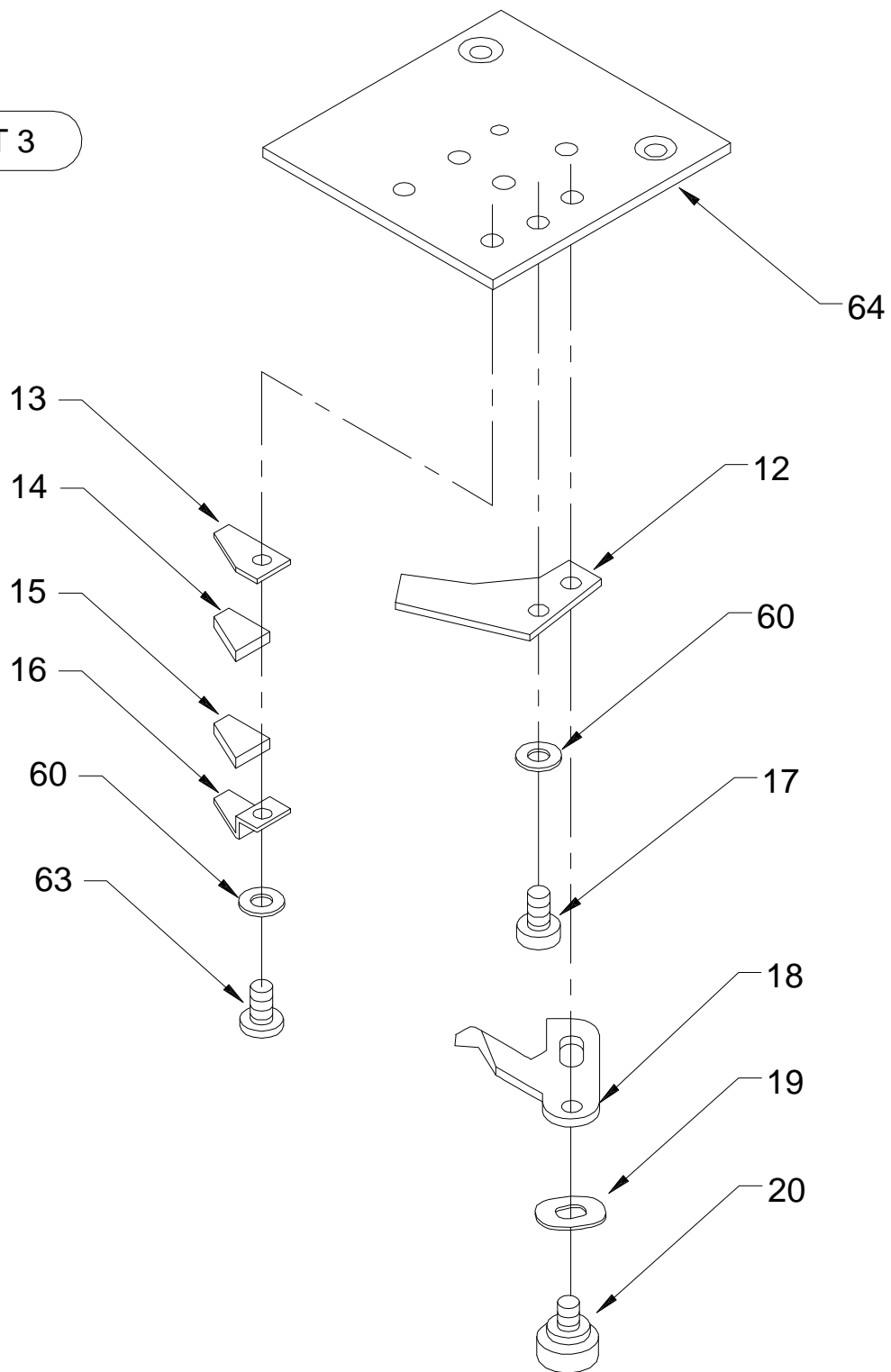
SHEET 2



From the library of Diamond Needle Corp

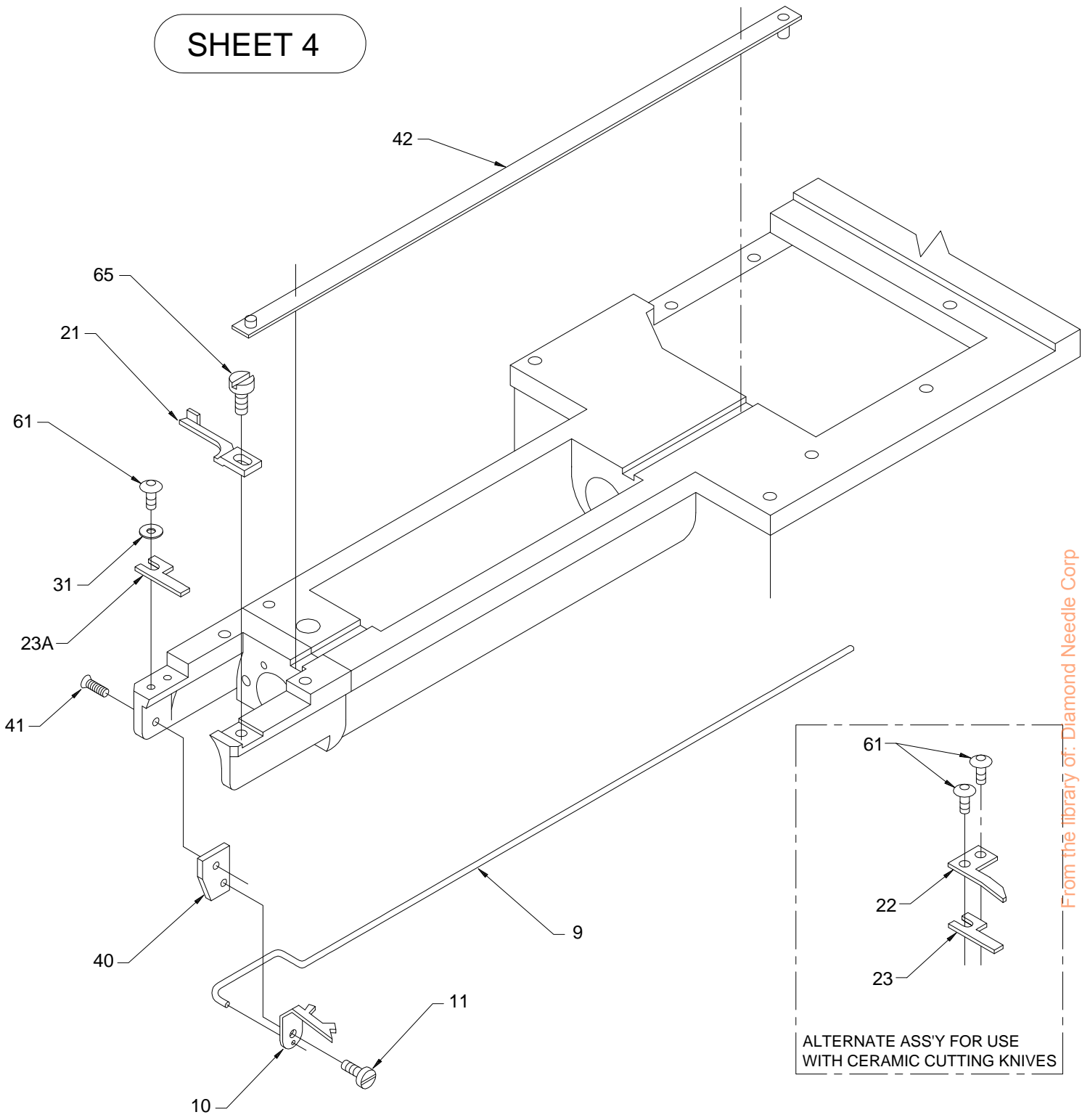
ITEM	PART NO.	DESCRIPTION	QTY
1	P700315	ROTARY SOLENOID	1
2	P700314	ROTARY SOLENOID	2
3	P700098	SOLENOID STAY	1
4	P700449	STOPPER ECCENTRIC	2
5	P700448	ECCENTRIC COVER	2
6	P700147	SOLENOID LEVER B	1
7	P700146	SOLENOID LEVER A	1
8	P700458	DRIVE ROPE	1
31	P840514	M3 FLAT WASHER, SPECIAL	7
34	P840518	M3 LOCK WASHER SPLIT, BLACK	7
35	P840704	M3 HEX NUT, BLACK (See note P.2 of 8)	7
56	P661025	M4 FLAT WASHER PLATED	6
57	P840003	M4x10 HEX SOCKET CAP SCREW, BLACK	6
58	P700243	CONNECTING CLAMP	1
59	P661041	M4x4 HEX SOC SET SCREW, FLAT POINT	2
62	P661023	M4x20x0.7 HEX SOCKET BOLT #23083	2
67	P661141	M4x6 HEX SOC. CAP SCREW, BLACK	2

SHEET 3



ITEM	PART NO.	DESCRIPTION	QTY
12	P700450	FIXED CUTTER	1
13	P700452	LOWER THD SUPPORT STAY (UPPER)	1
14	P700452	MAGIC TAPE (UPPER)	1
15	P700453	MAGIC TAPE (LOWER)	1
16	P700453	LOWER THD SUPPORT STAY (LOWER)	1
17	P820736	FIXED CUTTER SET SCREW	1
18	P700451	LOWER THREAD CUTTER	1
19	P840525	WAVE WASHER	1
20	P820719	LOWER THD CUTTER TURRET SHAFT	1
60	P840519	M3 FLAT WASHER, 6MM O.D.	2
63	P840027	M3x3 PHILLIPS PAN HEAD SCREW	1
64	P661089	THROAT PLATE #26081 (M900 W/TRIM/M2000)	1

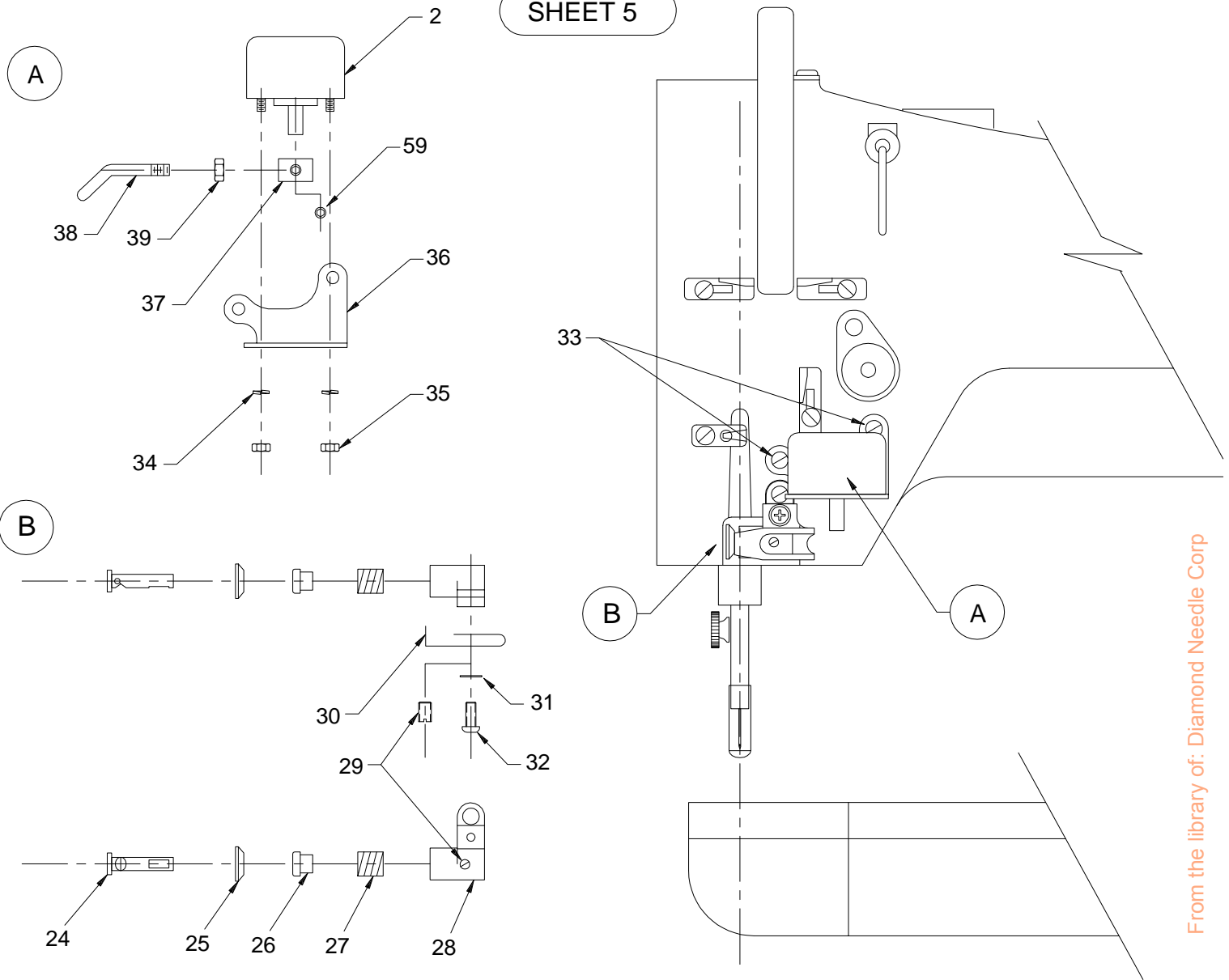
SHEET 4



From the library of: Diamond Needle Corp

ITEM	PART NO.	DESCRIPTION	QTY
9	P700156	HOOK DRIVE ROD	1
10	P700152	HOOK	1
11	P820720	UPPER THD CUTTER TURN SHAFT	1
21	P700456	BOBBIN CASE FIXING PLATE	1
22	P700454	CUTTER FIXING PLATE	1
23	P700455	CERAMIC UPPER KNIFE MK-4	1
31	P840514	M3 FLAT WASHER, SPECIAL	7
40	P700097	ENTERING HOOK BRACKET	1
41	P820735	BRACKET SCREW	1
42	P700155	LOWER THD CUTTER DRIVE ROD	1
61	P840006	M3x6 HEX SOCKET BUTTON BOLT	2
65	P840015	11/64-40x7mm SCREW	1
23A	KB270012	UPPER STEEL KNIFE MK-4	1

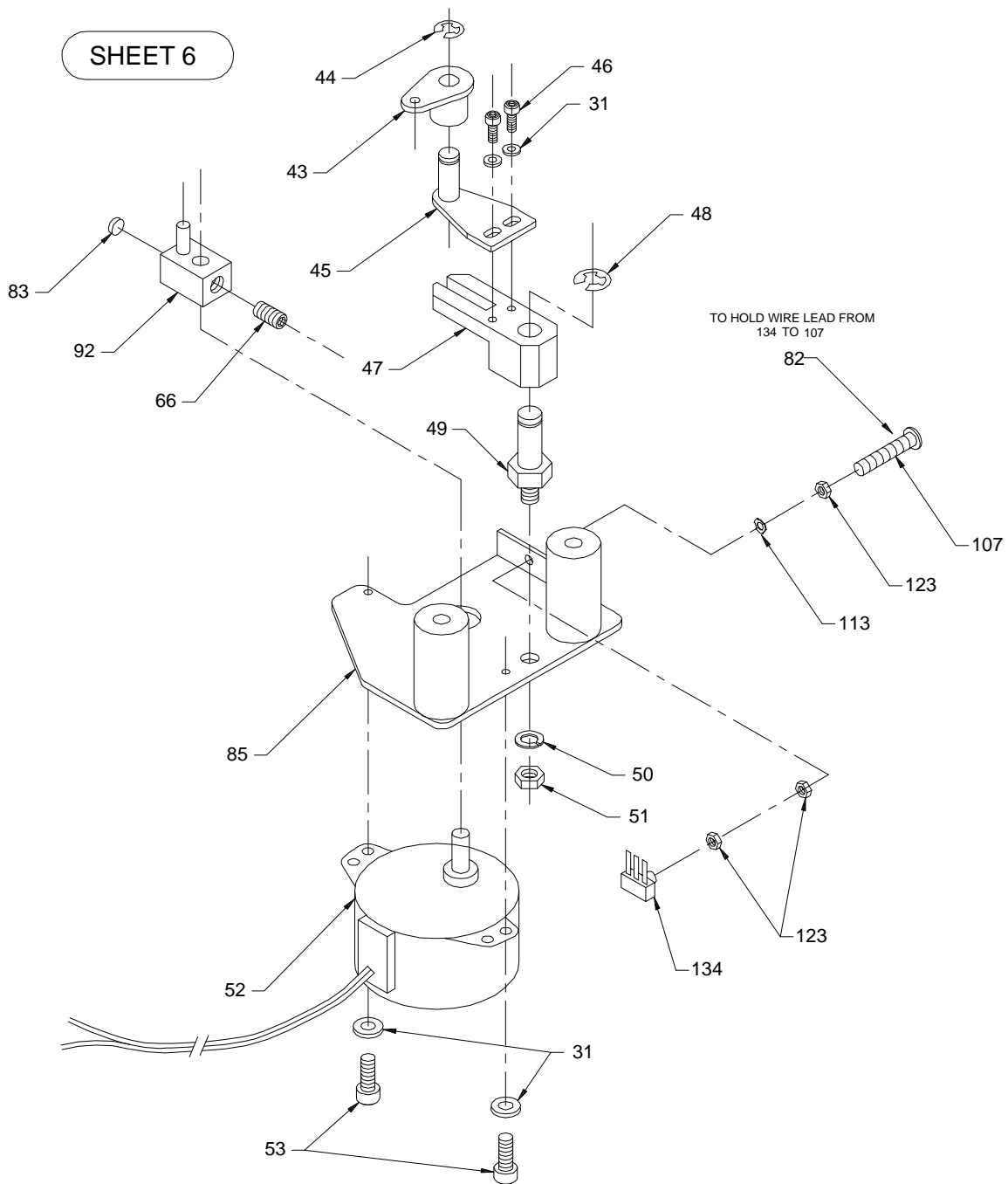
SHEET 5



From the library of: Diamond Needle Corp

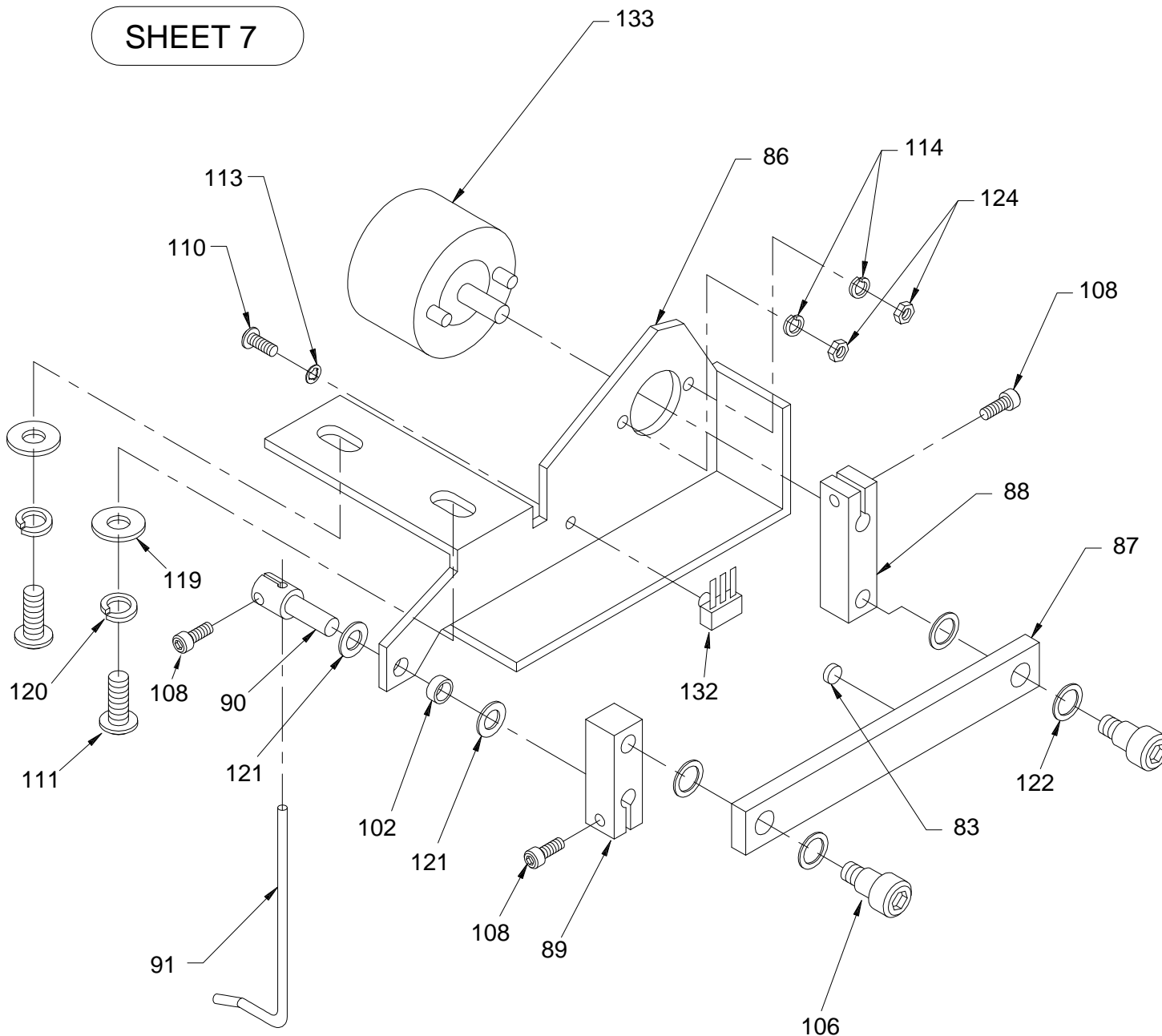
ITEM	PART NO.	DESCRIPTION	QTY
2	P700314	ROTARY SOLENOID	2
24	P700774	SUB TENSION SHAFT	1
25	P700775	SUB TENSION FRONTAL DISC	1
26	P700776	SUB TENSION REAR DISC	1
27	P700777	SUB TENSION SPRING	1
28	P700778	SUB TENSION PLATFORM	1
29	P700779	M4x3.5 SLOT SET SCREW, CUP POINT	1
30	P700230	SUB TENSION RELEASE SPRING	1
31	P840514	M3 FLAT WASHER, SPECIAL	7
32	P700780	SCREW,SUB TENSION SPRING	1
33	P700781	9/64x5/16 SLOTTED CHEESE HEAD SCREW	2
34	P840518	M3 LOCK WASHER SPLIT, BLACK	7
35	P840704	M3 HEX NUT, BLACK (See note P.2 of 8)	7
36	P700099	SUB TENSION RELEASE SOLENOID BRKT	1
37	P700637	SUB TENSION RELEASE LEVER BOSS	1
38	P700145	SUB TENSION RELEASE LEVER	1
39	P840713	M4 HEX NUT, BLACK	1
59	P661041	M4x4 HEX SOC SET SCREW, FLAT POINT	2

SHEET 6



ITEM	PART NO.	DESCRIPTION	QTY
31	P840514	M3 FLAT WASHER, SPECIAL	7
43	P700137	LOWER KNIFE DRIVE LINK	1
44	P840815	E RING 4mm ID, 9mm OD, LINK STOP	1
45	P700138	LOWER KNIFE DRIVE LEVER TOP	1
46	P840008	M3x8 HEX SOCKET CAP SCREW, BLACK	2
47	P700457	LOWER KNIFE DRIVE LEVER BOTTOM	1
48	P840816	E RING 5mm ID, 11mm OD, LEVER STOP	1
49	P700618	LOWER KNIFE DRIVE LEVER SHAFT	1
50	P840522	M5 LOCK WASHER SPLIT, BLACK	1
51	P840718	M5 HEX NUT, BLACK	1
52	P700559	MOTOR, 100V, 60HZ, 2.5W, 30RPM	1
53	P840007	M3x5 HEX SOCKET CAP SCREW, BLACK	2
66	P661163	M5x5 HEX SOC SET SCREW, FLAT POINT	1
82	P312028	CABLE TIE, 3"	10
83	P413018	MAGNET, RARE EARTH	2
85	P700122	BRACKET, TRIMMER MOTOR, FIELD INST	1
92	P700135	CAM, SWITCH 900 XLC TRIMMER	1
107	P840038	#4-40x1 PHILLIPS PAN HEAD SCREW	1
113	P840502	#4 EXTERNAL TOOTH LOCK WASHER	1
123	P840716	#4-40 HEX NUT	3
134	ZP730130	MOTOR SENSOR ASS'Y - TRIMMER	1

SHEET 7



ITEM	PART NO.	DESCRIPTION	QTY
83	P413018	MAGNET, RARE EARTH	2
86	P700123	BRACKET, TRIMMER, WIPE	1
87	P700130	LINKAGE, CONNECTOR, 900XLC TRIM	1
88	P700131	LINKAGE, SOLENOID, 900XLC TRIM	1
89	P700132	LINKAGE, WIRE, 900XLC TRIM	1
90	P700133	WIPE, CONNECTOR, 900XLC TRIM	1
91	P700134	WIPE WIRE, 900XLC TRIM	1
102	P700471	BUSHING, TRIMMER WIPE	1
106	P840020	1/4x1/4 SHOULDER SCREW	2
108	P840039	#4-40x3/8 HEX SOCKET CAP SCREW	3
110	P840403	#4-40x1/4 PHILLIPS PAN HEAD SCREW	1
111	P840445	#10-32x5/8 HEX SOC BUTTON HD SCREW	2
113	P840502	#4 EXTERNAL TOOTH LOCK WASHER	1
114	P840509	#6 SPLIT LOCK WASHER	2
119	P840530	#10 FLAT WASHER PLATED	2
120	P840572	#10 LOCK WASHER, SPLIT	2
121	P840588	WASHER, NYLON TRIMMER WIPE	2
122	P840589	WASHER, NYLON TRIMMER LINK	4
124	P840717	#5-40 HEX NUT	2
132	ZP730120	WIPER SENSOR ASS'Y - TRIMMER	1
133	ZP730125	SOLENOID, WIPE ASS'Y - TRIMMER	1